

ACC-TR-JB07/WM03-F-IN

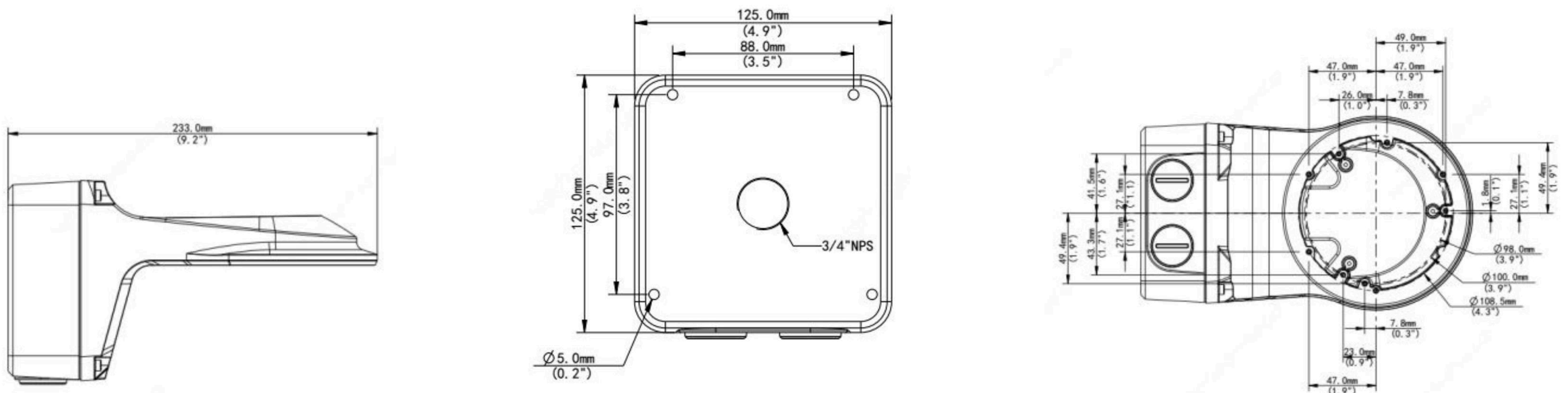
Wall Mounting Bracket for Dome Cameras



Summary

Outdoor wall-mounting configuration for certain Dome camera series (with extra back outlet)

Compatible with: CD-42, CD-52



Tech Specs

Model Number	ACC-TR-JB07/WM03-F-IN
Application	Wall installation for certain dome camera series (Extra back outlet)
Dimensions	Φ125mm x 125mm x 233mm (4.92" x 4.92" x 9.17")
Weight	0.98kg (2.16lb)
Material	Aluminium Alloy