

ACC-TR-UP08-A-IN

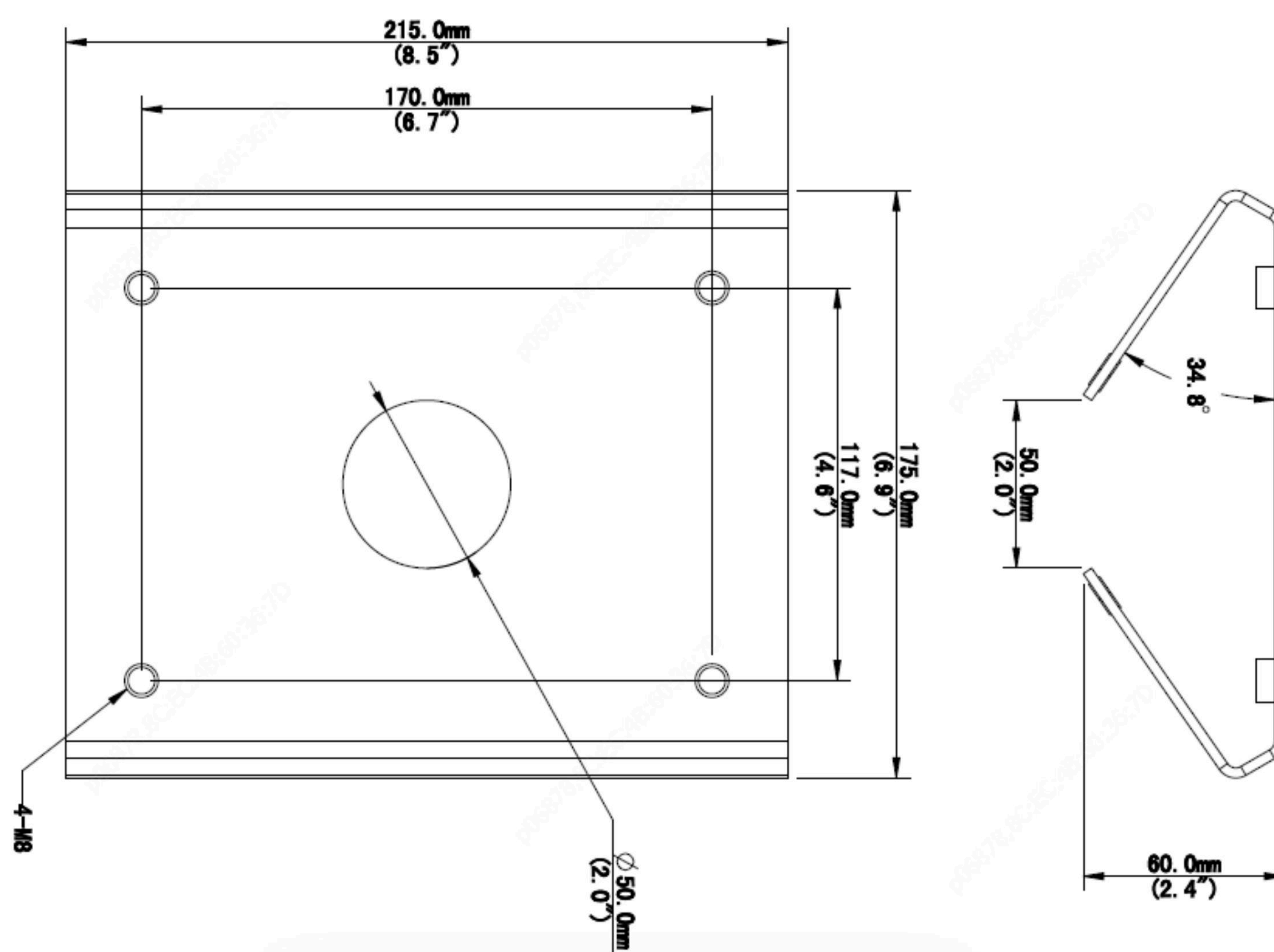
Pole Mount Adapter



Summary

Bracket for pole-mounting PTZ cameras

Compatible with: CZ-41, CZ-42, CZ-43, CM-52



Tech Specs

Model Number	ACC-TR-UP08-A-IN
Application	Indoor or outdoor, pole installation for PTZ dome camera
Dimensions	215mm x 175mm x 60.0mm (8.5" x 6.9" x 2.4")
Embrace Hoop Diameter	67mm~127mm (2.6"~5")
Weight	1.47kg (3.2lb)
Material	Steel