

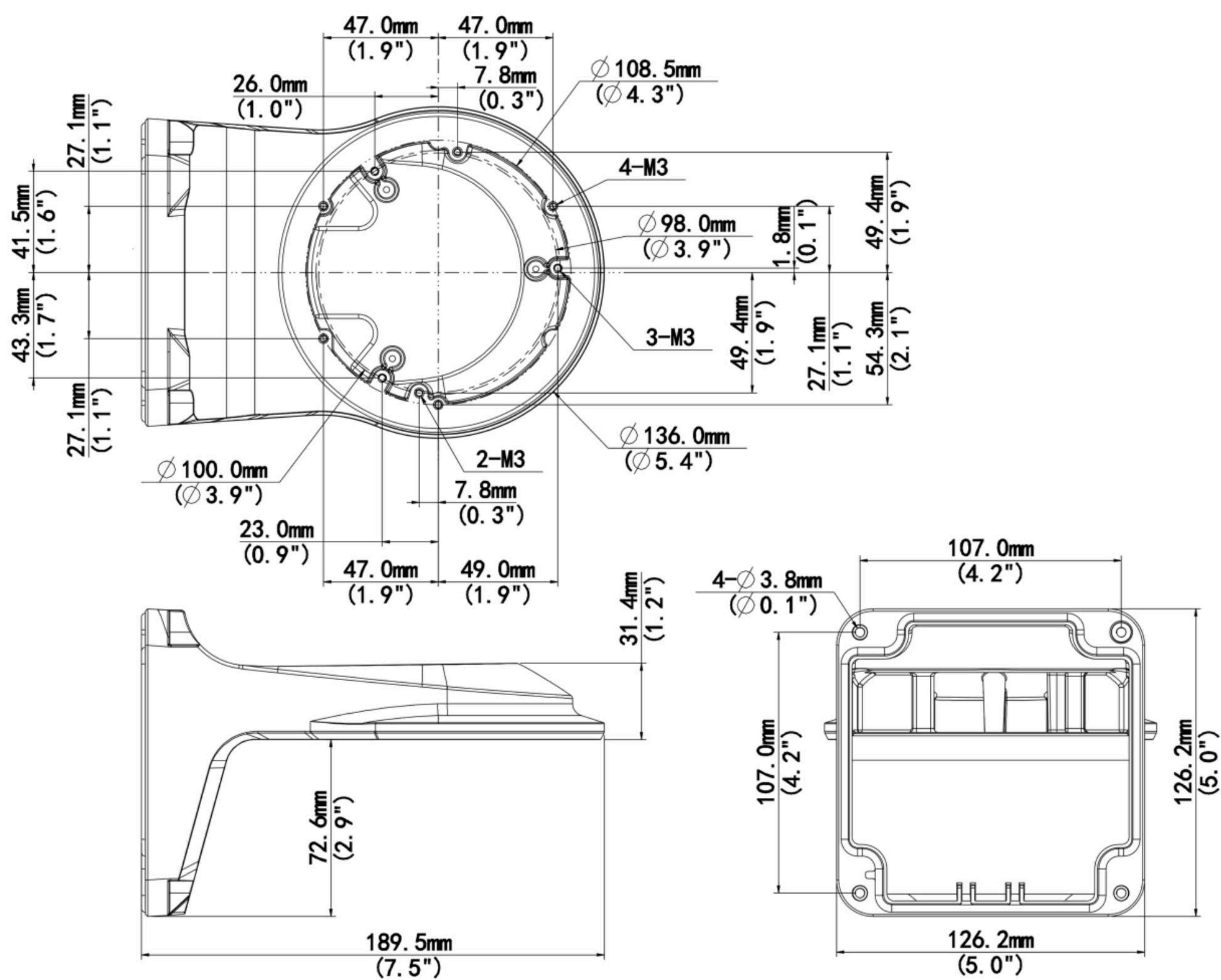
ACC-TR-WM03-B-IN

Wall Mounting Assembly Bracket for 3 Inch Hemisphere

Summary

Wall-mounting configuration (indoors) for fixed-lens Dome camera series

Compatible with: CD-42, CD-52



Tech Specs

Model Number	ACC-TR-WM03-B-IN
Application	Wall installation for fixed-lens dome camera series
Dimensions	126mm x 126mm x 188mm (5" x 5" x 7.4")
Weight	0.5kg (1.1lb)
Material	Aluminium Alloy