

ACC-TR-UM06-E-IN

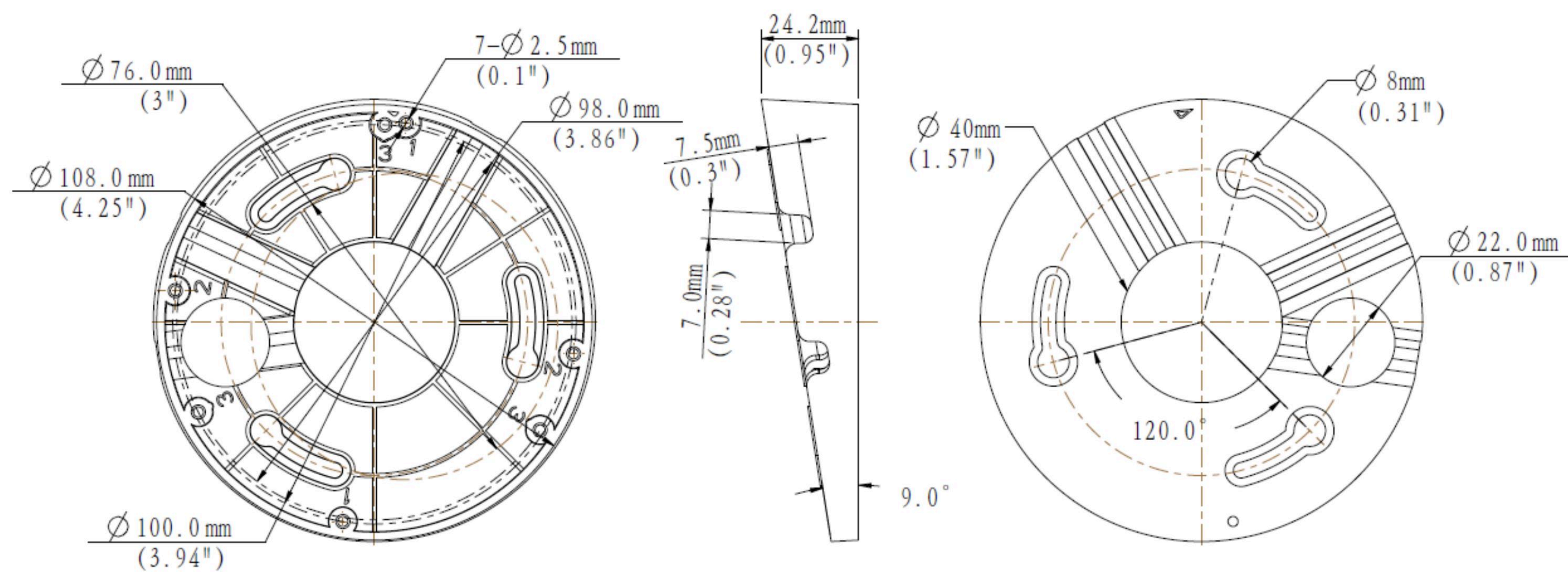
# Turret Indoor Incline Mount



## Summary

Incline mounting bracket for Turret camera series

Compatible with: CD-51, CD-81, CT-51, CT-53, CT-81



## Tech Specs

Model Number	ACC-TR-UM06-E-IN
Application	Indoor, incline installation for fixed turret/dome cameras
Dimensions	Ø108.0 x 24.2mm (Ø4.25" x 0.95")
Weight	0.04kg (0.1lb)
Material	Plastic