

ACC-TR-UP08-B-IN

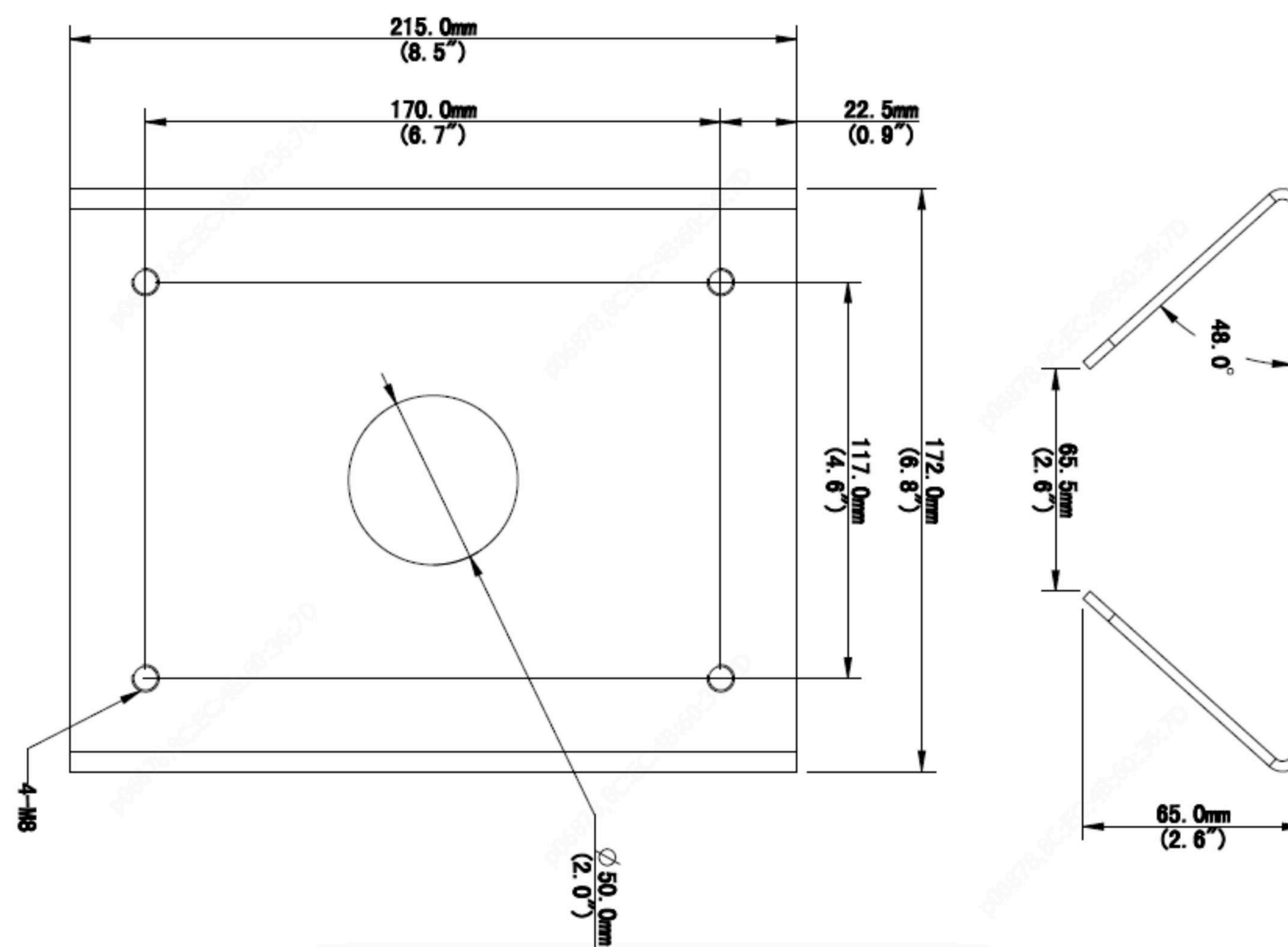
PTZ Pole Mount Adapter



Summary

Bracket for pole-mounting PTZ cameras

Compatible with: CZ-41, CZ-42, CZ-43, CM-52



Tech Specs

Model Number	ACC-TR-UP08-B-IN
Application	Indoor or outdoor, pole installation for PTZ dome camera
Dimensions	215mm x 172mm x 65mm (8.5" x 6.8" x 2.6")
Embrace Hoop Diameter	67mm~127mm (2.6"~5")
Weight	0.55kg (1.2lb)
Material	Aluminium Alloy