

ACC-TR-WM03-E-IN

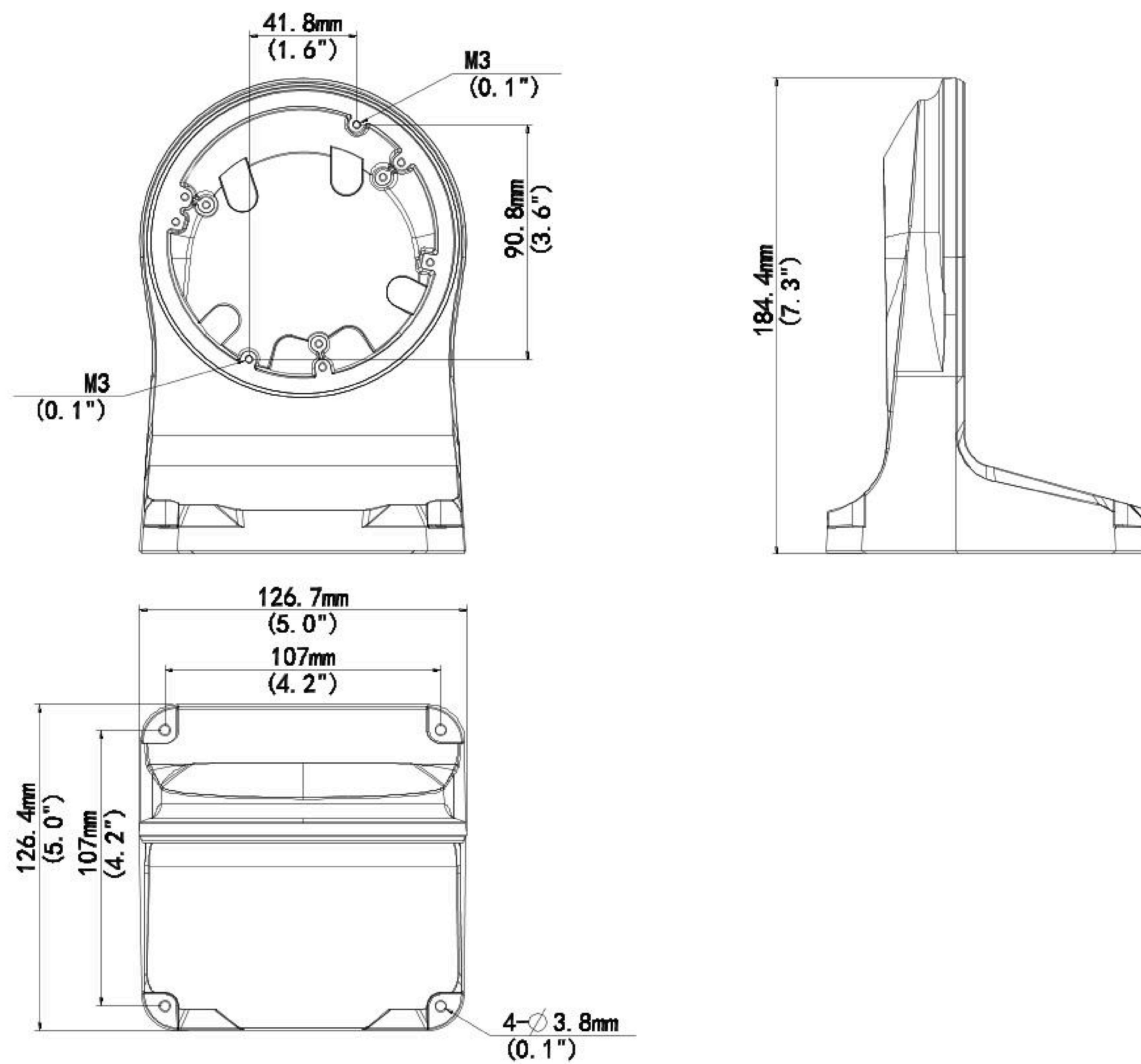
# Wall Mounting Bracket for Dual Channel Dome Camera



## Summary

Wall-mounting configuration for C2S-41 camera series

Compatible with: C2S-41



## Tech Specs

Model Number	ACC-TR-WM03-E-IN
Application	Wall Mounting Bracket for Dual-channel dome camera series
Dimensions	184.4mm x 126.7mm x 126.4mm (7.3" x 5.0" x 5.0")
Weight	0.54kg (1.19lb)
Material	Aluminium Alloy