

ACC-TR-JB07/WM03-H-IN

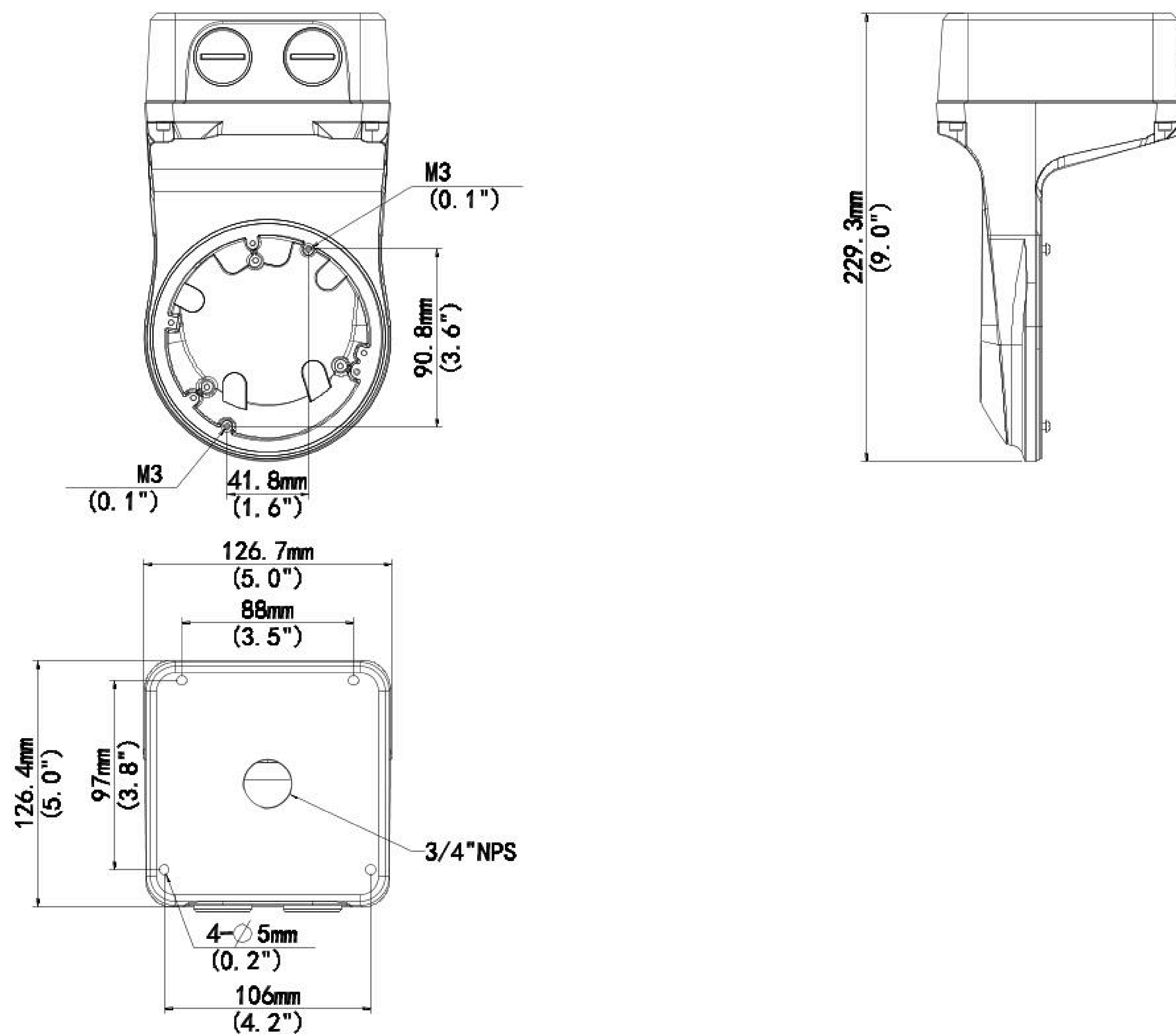
Wall Mounting Assembly Bracket For Dual Channel Dome Camera



Summary

Wall-mounting configuration for C2S-41 camera series (with extra back outlet)

Compatible with: C2S-41



Tech Specs

Model Number	ACC-TR-JB07/WM03-H-IN
Application	Wall Mounting Assembly Bracket for Dual-channel dome camera series
Dimensions	Φ229.3mm x 126.7mm x 126.4mm (9.0" x 5.0" x 5.0")
Weight	1.02kg (2.25lb)
Material	Aluminium Alloy