

ACC-TR-WE45-A-IN

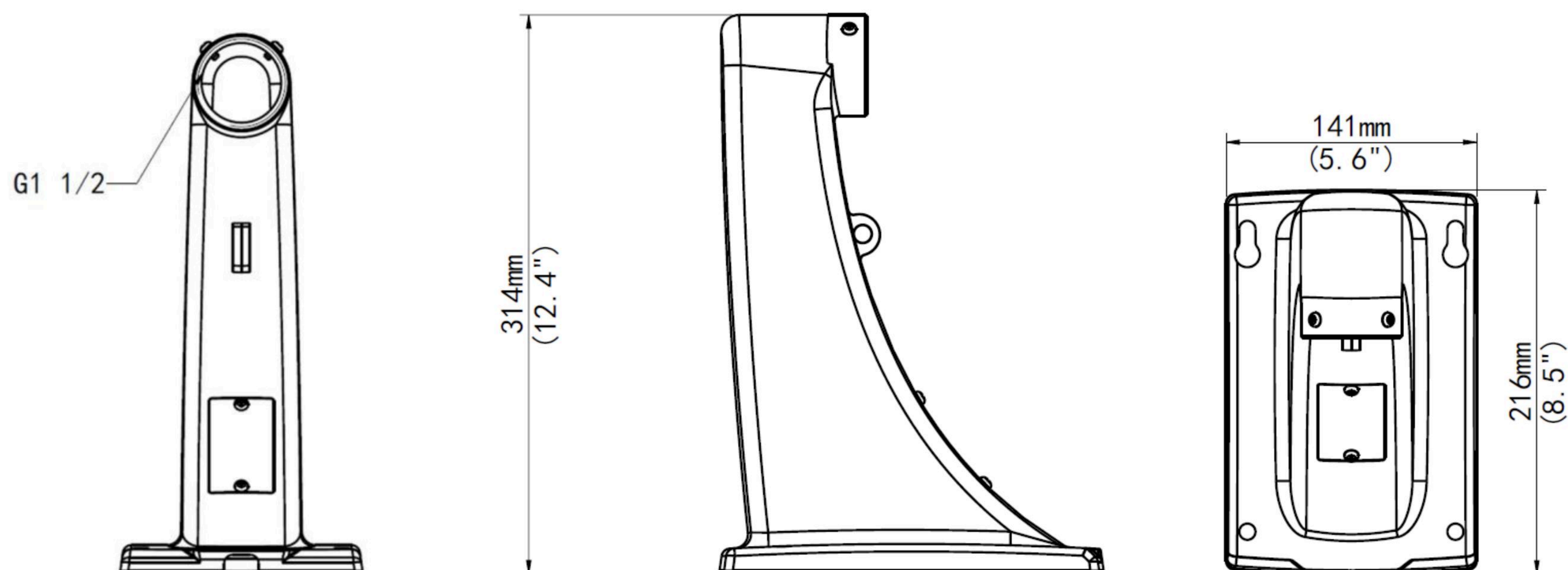
Dome Wall Mount



Summary

Bracket for arm-mounting PTZ camera series (long). Compatible with most cameras (with adapter plate)

Compatible with: CD-42, CD-51, CD-52, CD-81, CD-82, CF-121, CF-51, CT-51, CT-53, CT-81, CZ-41, CZ-42, CZ-43, CM-52



Tech Specs

Model Number	ACC-TR-WE45-A-IN
Application	Indoor or outdoor, wall installation for PTZ dome camera
Dimensions	216mm x 141mm x 314mm (8.5" x 5.6" x 12.4")
Weight	1.0kg (2.2lb)
Material	Aluminium Alloy